

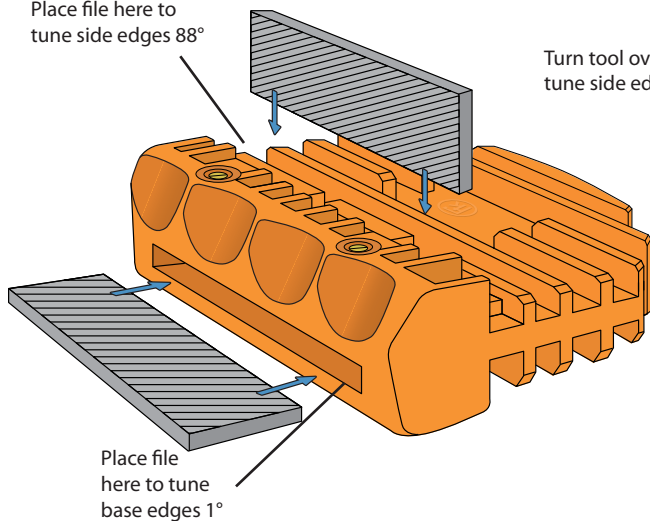


3118 POCKET II BASE & EDGE BEVELER

88° or 89° SIDE EDGE or 1° BASE EDGE

Place file here to
tune side edges 88°

Turn tool over to
tune side edges 89°



Perfect for tuning or beveling edges on all skis and snowboards. Easy to use at home, in the shop or on the hill. Tune side edge 88° or 89° and base edge 1°.

Comes with 70 mm medium ski file.
Fits DMT diamonds and coarse and fine files, sold separately.



TOOLS MFG. IN GERMANY

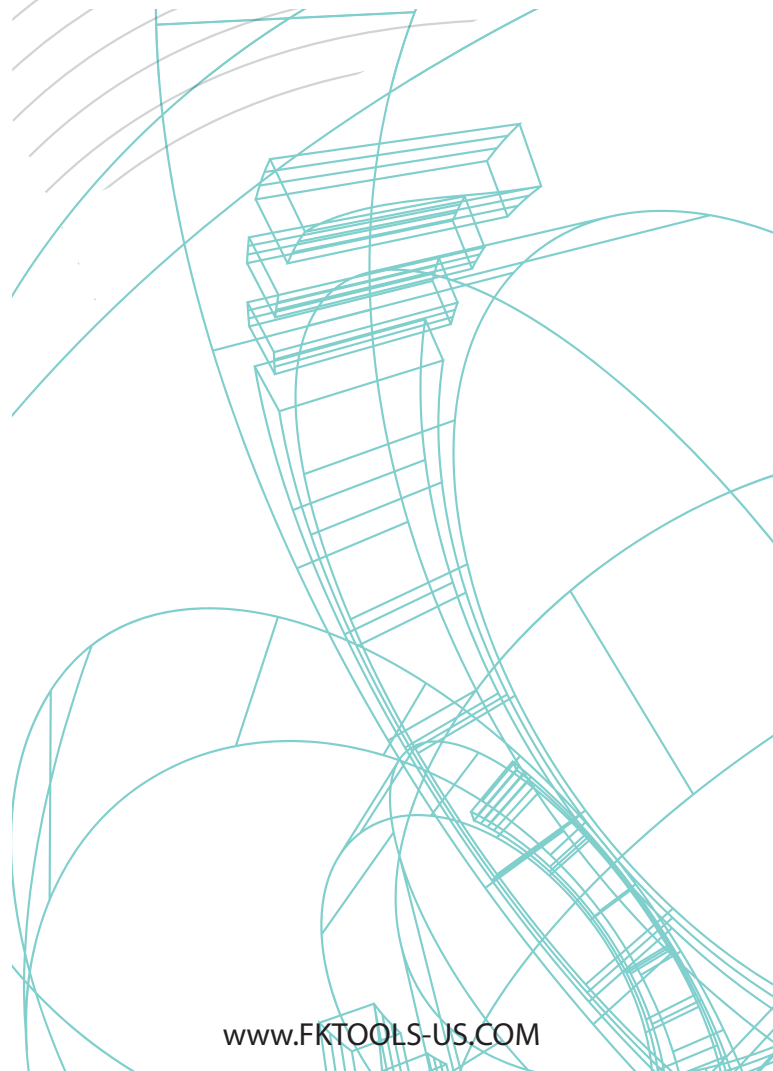
RUFFOLO, INC. 2926 75TH ST. KENOSHA, WI 53143 800-877-7025

VISIT THE FK/SKS TOOLS SITE
www.FKTOOLS-US.COM



3118 POCKET II BASE & EDGE BEVELER

88° or 89° SIDE EDGE or 1° BASE EDGE



www.FKTOOLS-US.COM

Instructions for using the 3118

Insert file into tool into the proper place for base or side edge beveling. To tune the side edge to the angle you desire place the tool on ski or snowboard with the angle arrow pointing at the base. It is usually best to pull the tool toward you. Notice the arrow on the file and insert it so that the file is inserted into tool with correct cutting direction.

It is usually best to tune the base edge first. You want to just remove the scratches on the base edge.

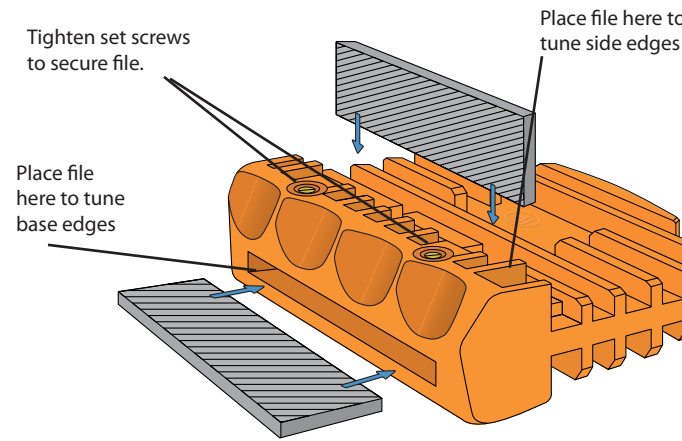
To produce a new sharp corner work the side edge until enough material is removed to produce a sharp corner.

⊕ The 3118 Pocket Tuner is designed to accept 70mm files and stones including the DMT 70mm Diamond Stones.

Replacement and optional files

- 3049 70mm Fine file
- 3200 70mm Medium file
- 3206 70mm Mill (Coarse) file
- 703G Green 1200 Grit DMT Diamond
- 703R Red 600 Grit DMT Diamond
- 703B Blue 325 Grit DMT Diamond
- 703K Black 220 Grit Diamond
- 703XX Silver 120 Grit Diamond
- 3212 70mm Tungsten Carbide file
- 3216 70mm Pro Tungsten Carbide file

3118 POCKET II BASE & EDGE BEVELER

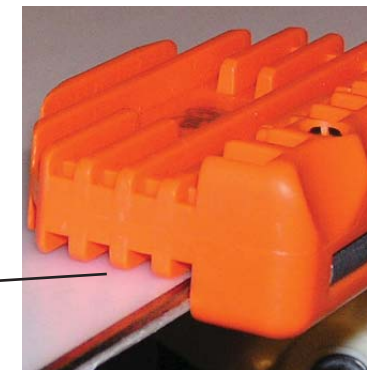


Notice arrow on file
File cuts in one direction only.



⊕ The angle arrow that points toward the base indicates the angle for side edge beveling.

This part of tool always runs on base of ski or snowboard, whether you are tuning the base or side edge.



see Tuning tips online at
www.fktools-us.com/tooltips.asp